

# ROBERTS GORDON® CORAYVAC™

## Custom Infrared Heating System



**MODEL  
CRV-B**

### Engineered for Unlimited Heating Possibilities in Commercial and Industrial Applications

- Variety of design options from custom engineered system
- Fuel savings and enhanced user comfort provided by burners-in-series design
- Excellent efficiency and ideal combustion from zero regulator incorporated in state of the art burner design
- Maximizes usable space with low clearances to combustibles
- Extra safety feature with zero regulator design
- Reduced building penetrations as a result of multiple burners per pump
- Environmentally friendly - meets stringent emission standards

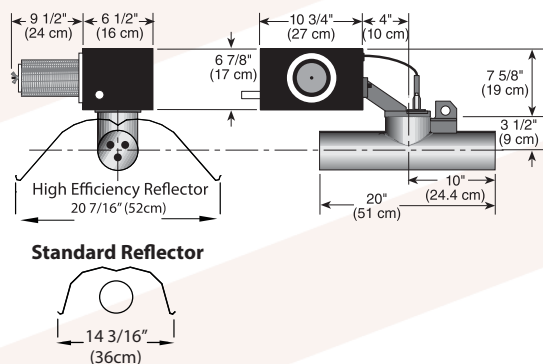


[www.robertsgordon.com](http://www.robertsgordon.com)

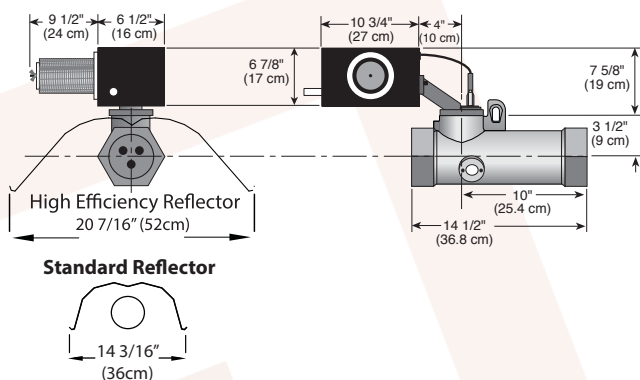
THE INDUSTRY LEADER  
**RADIANT**  
EFFICIENCY™

# ROBERTS GORDON® THE EXCLUSIVE PRODUCER OF CORAYVAC™

## CORAYVAC™ Burner with Hot Rolled or Aluminized Combustion Chamber



## CORAYVAC™ Burner with Cast Iron Combustion Chamber (CORAYVAC™ Classic)



### CORAYVAC™ CRV-B

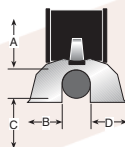
Model		B-2	B-4	B-6	B-8	B-9	B-10	B-12A	B-12
Burners in a Branch*	max.	6	4	4	4	2	4	3	3
Radiant Tube Length Between Burners	[ft]								
	min.	10	12.5	20	20	25	30	35	35
	Recommended	15	20	25	30	30	40	50	50
	max.	20	25	35	45	50	60	70	70
<b>Input (Btu/h) x (1000)</b>		<b>20</b>	<b>40</b>	<b>60</b>	<b>80</b>	<b>90</b>	<b>100</b>	<b>110</b>	<b>120</b>
Inlet Pressure	[in wc] NG min.	4.5							
	LPG Propane min.	10.5							
	NG & LPG Propane max.	14							
Gas Connection	NPT	1/2"							
Fuel		NG or LPG Propane; B2 and B12A - NG Only; B12 - LPG Only							
Electrical Supply**		120 V, 60 Hz, 0.3 A (Connection Cord with Three-Prong Molded Plug)							
Burner Head		Cast Iron							
Combustion Chamber		16 Gauge Hot Rolled, Heat-Treated Aluminized, or Cast Iron							
Heat Exchanger Tubing	Radiant	4" dia, 16 Gauge Hot Rolled, Aluminized, Heat-Treated Aluminized, Porcelain Coated (Interior and Exterior) Steel Tubing or 4" Schedule 40 Pipe (Provided by others)							
	Tailpipe	4" or 6" dia, 16 Gauge Aluminized, Heat-Treated Aluminized, Porcelain Coated (Interior and Exterior) Steel Tubing or 4" Schedule 40 Pipe (Provided by others)							
Reflector and End Caps		.024 Aluminum [Optional - .024 Stainless Steel Type 304]							
Control System		Fully Automatic, Three-Try, 100% Shut-Off, Direct Spark Electronic Ignition Control							
Approved As		Indoor (Vented)							
Certification		ANSI Z83.20/CSA 2.34, 2.17							
Burner Weight	[lb]	19							
Warranty		Three-Year Limited (Refer to Installation, Operation and Service Manual for Details)							

\*Pump type, system layout and environmental conditions may reduce maximum allowable burners in a branch. Refer to the CORAYVAC® Design Manual for complete design requirements or contact your ROBERTS GORDON® North American independent distributor for further assistance.

\*\*Refer to Pump Spec Sheet for complete system electrical requirements.

### Clearances to Combustibles \*\*\*[in]

Model		B-2	B-4	B-6	B-8	B-9	B-10	B-12A	B-12
Horizontal	A	4	4	4	4	4	4	4	4
	B	20	20	20	20	36	36	36	36
	C	48	48	48	48	60	60	60	60
	D	20	20	20	20	36	36	36	36



\*\*\*Clearances B, C and D can be reduced by 50% for locations 25 ft (7 m) or more downstream of the burner. For other mounting options and associated clearances, complete installation, operation and service criteria, please see the current issue of the Installation, Operation and Service Manual.

**This product is not for residential use.**

**This document is intended to assist licensed professionals in the exercise of their professional judgment.**

Roberts-Gordon LLC  
1250 William Street  
P.O. Box 44  
Buffalo, NY 14240-0044 USA  
Telephone: +1.716.852.4400  
www.robertsgordon.com